

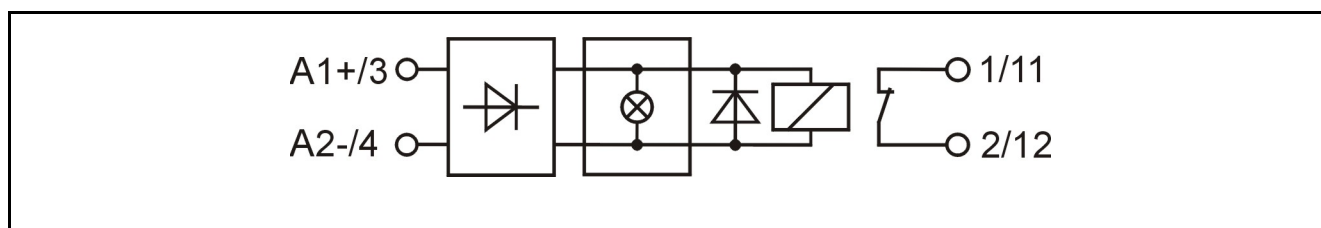
SRO 24B

SL-series plug-in output relay

Main features

- Electromechanical output relay, normally closed
- cULus Listed, CE (EMC and LVD)
- Integrated status LED
- For AC- and DC-loads

Functional block diagram



Main specifications

Breakdown voltage I/O	minimum	4300	VAC rms
Air/creepage distances I/O	minimum	8	mm
Capacitance I/O	typical	3	pF
Material of the casing	PBT	UL 94V-0	
Colour of the casing	Black		
Weight	typical	40	g
Temperature range:			
Storage	range	-40...+70	°C
Operation	range	-25...+70	°C

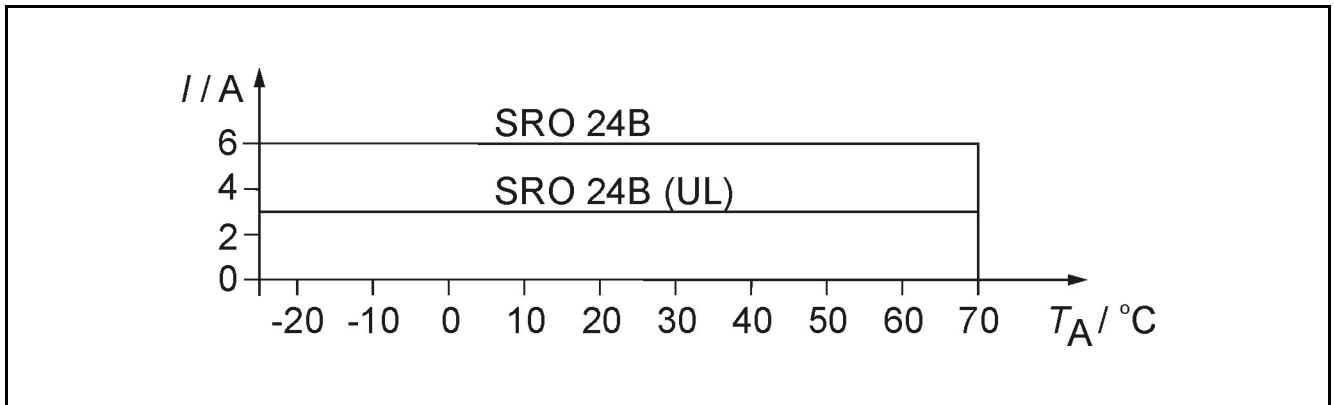
Electrical specifications ($T_A = 25\text{ °C}$)

Primary				Secondary			
Input voltage	nominal	24	VDC	Load voltage	minimum	12 V 100 mA DC	
	typical	10	mA		nominal	240/250	VAC/VDC
Input current at nominal voltage	maximum	6	mA		maximum	265/300	VAC/VDC
	minimum	19	VDC	Load current	maximum	3 (6)	A
Input voltage range (abs.)	maximum	32	VDC		Switch-on delay	typical	5
	typical	2,7	kΩ	maximum		10	ms
Switch-on voltage	typical	-	VDC	Switch-off delay	typical	10	ms
	maximum	19	VDC		maximum	15	ms
Switch-off voltage	typical	-	VDC	Mechanical life	typical	10 * 10 ⁶	operations
	minimum	2,5	VDC		Contact material	AgSnO ₂	

Maximum load current is 3 A (UL), otherwise 6 A.

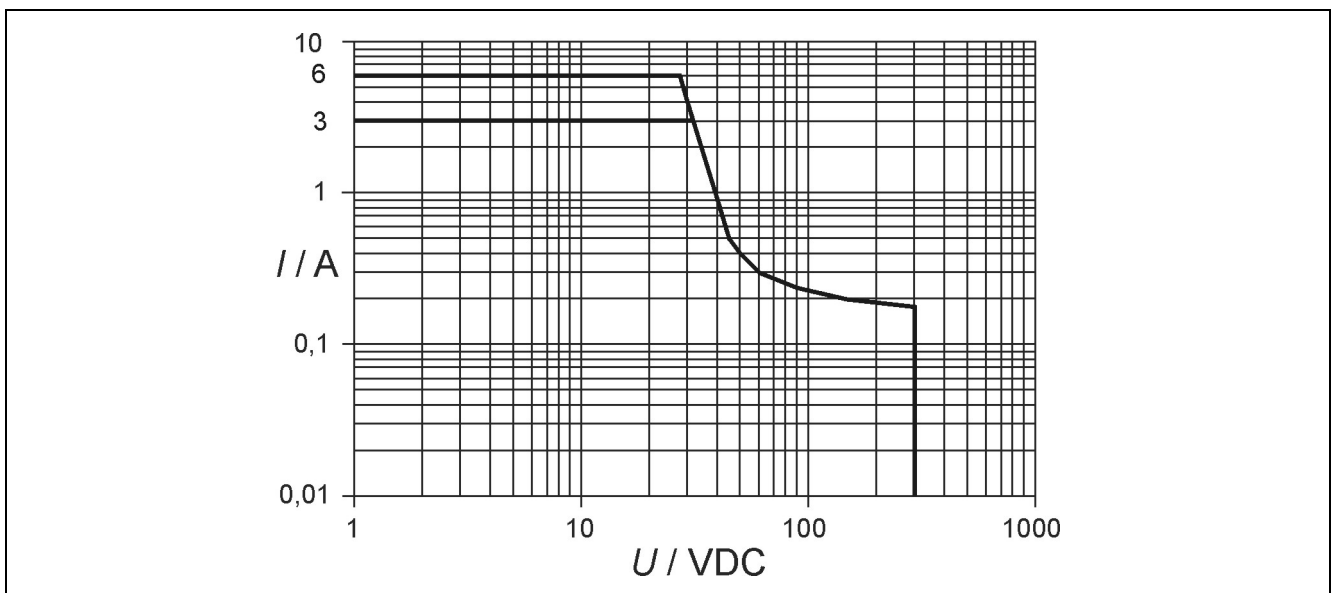
Ambient temperature (T_A) means the temperature immediate in vicinity of relays, where the air flow meets the relays.

Derating



Derating curve for SRO 24B.

Derating when switching resistive DC-loads



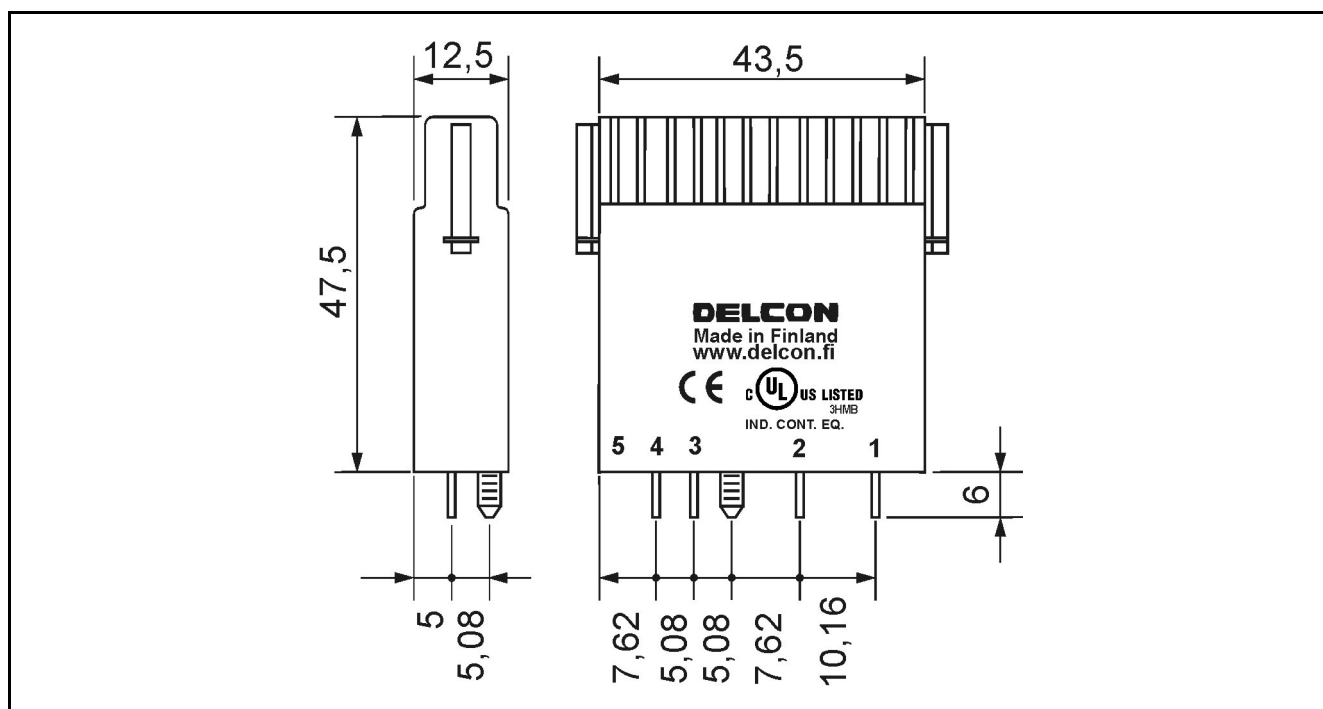
Fusing

To protect relay against short circuit and overload a fast fuse with the correct rating for the load and the capacity of the relay should be chosen. Note that when overload current is not large it is possible that the fuse will not protect the relay because of the tolerance on the fuse rating.

Assembling



All MOS 1... -mounting sockets, all MB/MBS 8/16... -mounting bases.

Mechanical dimensions



SRO-relay (plug-in), dimensions in mm.

Approvals

	Certificate: E162828
	Fulfils main requirements of the EMC-directive 2004/108/EC. Fulfils requirements of the low voltage directive (LVD) 2006/95/EC.

Guarantee

This electromechanical I/O relay type made by Delcon Oy is guaranteed free from design and manufacturing defects for a period of one year from the manufacturing date. The guarantee liability is limited to replacement of defective material and related shipping charges. Defective products must be returned to the manufacturer for evaluation. This guarantee does not cover damage due to incorrect use or electrical overload.