

# A4-4Z-C2-X

# Relay Socket



**UL**  
File No:E253370

**CE**  
Screw Terminal,  
DIN rail mounting,  
With finger protection device

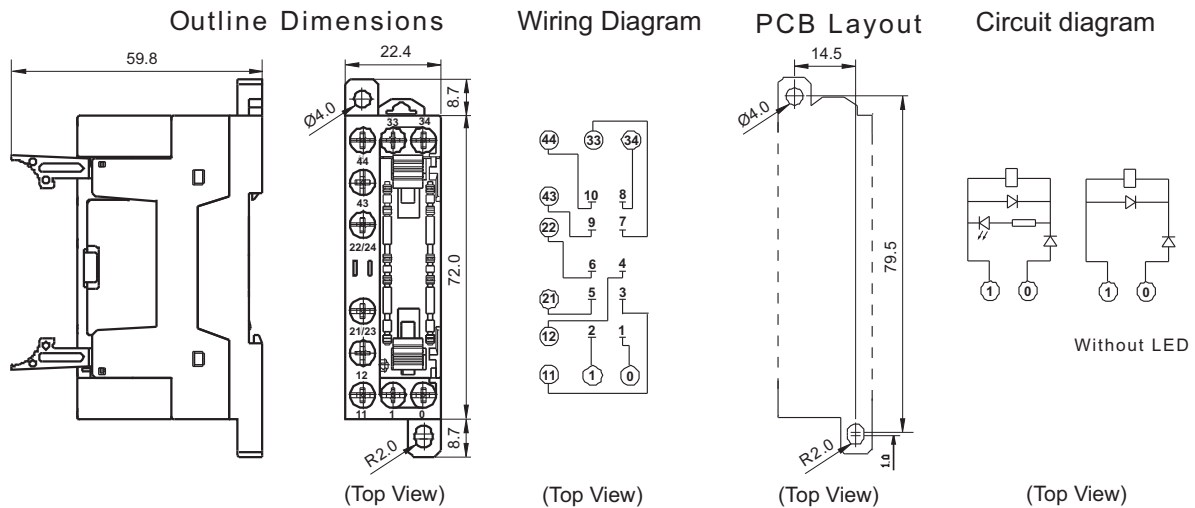
### Features

- Ambient temperature : -25 °C ~ 55 °C
- Rated Ae: 250VAC
- Rated Current : 6A
- Input voltage: 6 ~ 110VDC
- Dielectric strength : Between coil & contacts 2500VAC
- Terminal torque: 1.0Nm
- Wire strip length : 7mm
- Max wire size : mm<sup>2</sup> 2x1.5  
AWG 2x16
- Applicable relay type : HFA4

### ORDERING INFORMATION

	<b>A4</b>	<b>-4Z</b>	<b>-C2</b>	<b>-X</b>
<b>Type</b>				
<b>Contact arrangement</b>	<b>4Z: 4 Pole</b>			
<b>Termination &amp; mounting</b>	<b>C2: Screw Terminal, DIN rail mounting, With finger protection device</b>			
<b>Voltage of module</b>	<b>D24:</b> Realy's applicable rated voltage: 6, 9, 12,18, 24 VDC <b>D60:</b> Realy's applicable rated voltage: 36, 48, 60 VDC <b>D110:</b> Realy's applicable rated voltage: 85,110 VDC <b>Nil:</b> Without LED			

### OUTLINE DIMENSIONS, WIRING DIAGRAM, PC BOARD LAYOUT AND CIRCUIT DIAGRAM Unit: mm



**Notes:** Main outline dimension(L, W, H) ≥50mm, tolerance should be ±1mm; outline dimension >20mm and <50mm, tolerance should be ±0.5mm; outline dimension ≤20mm, tolerance should be ±0.3mm.

#### Disclaimer

This datasheet is for the customers' reference. All the specifications are subject to change without notice. We could not evaluate all the performance and all the parameters for every possible application. Thus the user should be in a right position to choose the suitable product for their own application. If there is any query, please contact Hongfa for the technical service. However, it is the user's responsibility to determine which product should be used only.

© Xiamen Hongfa Electroacoustic Co., Ltd. All rights of Hongfa are reserved.